

**ANALYSIS FRAME OF HUSKER MACHINE TYPE LM-24 USING SOLIDWORKS SOFTWARE 2018**Ariyanto<sup>1)</sup>, Tati Noviati<sup>2)</sup>Faculty Tecnology Industry, Universitas Gunadarma<sup>1)</sup>Faculty Tecnology Industry, Universitas Gunadarma<sup>1)</sup><sup>1)</sup>email : ariyanto.ug@gmail.com<sup>1)</sup>**ABSTRACT**

Rice is a strategic commodity that directly affects the lives of the majority of the Indonesian population, therefore the program to increase rice production gets a top priority from the government to achieve food security and farmers' welfare. The work of farmers in order to increase domestic rice production, for example is the Rice Milling Unit (RMU). The technology that is usually used in producing grain into rice, one of which is a husker (husker) machine. grains of rice, in the rice mill there is a husker machine weighing 115 kg which is only based on the floor so the machine requires a support or foundation so as not to cause vibrations that can damage the structure of the building around it, therefore it is necessary to make a design the support frame is sturdy and also flexible. To determine the strength of the frame, it is necessary to analyze the calculation of the frame simulation which includes the simulation of Von misses, Displacement and Safety factor, the simulation is carried out at a load of 1127 N which produces a Von misses max value of 102,486 MPa, with the highest displacement value of 0.274 mm and the lowest value of 0. mm, and produces a safety factor value of 2,439. with the value of the safety factor, it can be said that the frame construction is safe.

**Keywords :** Rice husker machine, Support frame design, Von misses, Displacement, Safety factor.

**INTRODUCTION**

Rice is a strategic commodity that directly affects the lives of the majority of the Indonesian population, therefore the program to increase rice production is a top priority from the government to achieve food security and farmers' welfare. The quality produced by rice into rice will be very influential for farmers for the value of rice sales.

Lack of human resources and natural resources that are increasingly unresponsive as agricultural land and water catchment areas decrease, making the agricultural sector, especially rice cultivation in Indonesia, begin to experience a decline in production quality. helping farmers work in order to increase domestic rice production, for example is the Rice Milling Unit (RMU). RMU is an agricultural machine tool that is used to grind grain into rice. By using RMU, grain milling becomes faster than manual or pounded methods.

The technology that is usually used in producing grain into rice, one of which is a husker machine, the husker machine itself has a function as a separator between husks (hulls) and rice seeds. Where the result of this process is usually called broken skin rice. Basically the machine really needs a foundation or support to create a safe and sturdy machine, so the support frame is one of the machine elements that really needs its presence. With the support frame is expected to make the engine performance for the better.

## RESEARCH METHOD

The method used by the author in doing this writing is:

### 1. Literature Study

Data was obtained by looking for references through books or ebooks, journals and learning videos related to the research topic.

### 2. Field Study

Data collection was obtained by direct observation by looking at the working process of the machine.

The design of the frame that will be made includes the design of the support frame for the LM-24 rice husker machine. The purpose of making this frame is as a medium to support the machine so as not to cause vibrations that can cause damage around the machine. And also with the machine support frame, it can make it easier if the machine wants to be moved. Therefore the frame must be made strong and sturdy. To find out whether the frame structure is strong or not, a static load simulation will be carried out using the solidworks 2018 software.

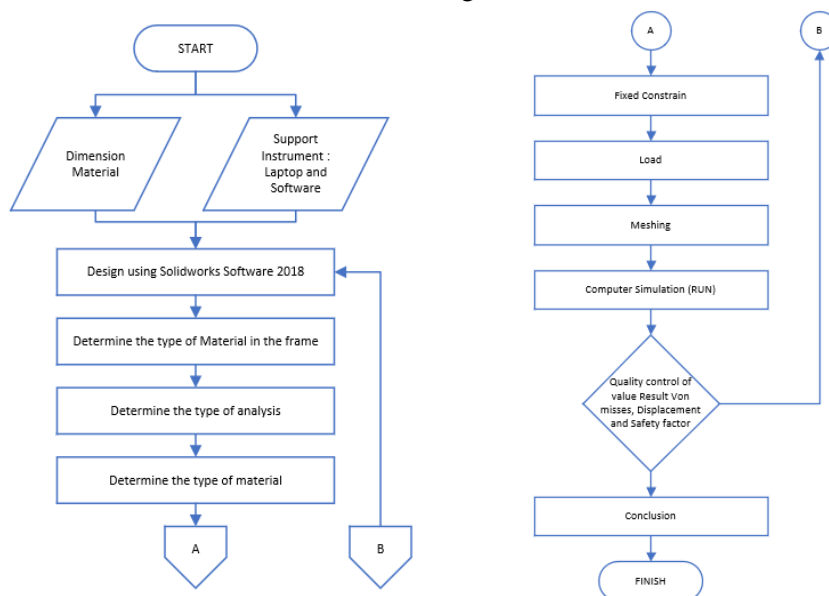


Figure 1. Flowchart of the frame design of the grain skin crusher machine

## RESULT AND DISCUSSION

In this process, the specification data for the Rice husker machine type LM-24 is inputted. Measurements are made at a rice mill located in Parakan Village, Ciomas District, Bogor Regency. As can be seen in Figure 2.



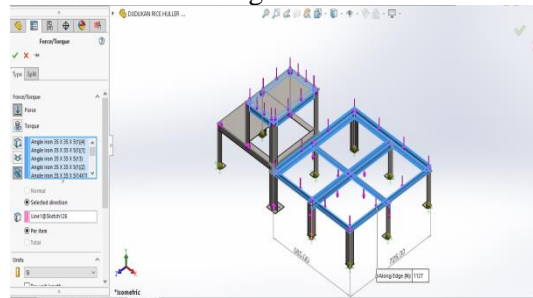


There are various components in the husker machine that have different masses, each mass in the component will greatly affect the loading. The loading value can be seen in table 1.

**Table 1. Table of Component Mass**

No	Component	Total	Mass (kg)
1	Hopper	1	10 kg
2	Gear box	1	16 kg
3	Pulley (free and main pulley)	2	2 kg + 6 kg = 8 kg
4	Box	1	50 kg
5	Blade	1	3 kg
6	Pulley Blower	1	6 kg
7	Outlet	2	10 kg
8	Rubber Roll	2	12 kg
	<b>Total Number</b>	<b>11</b>	<b>115 kg</b>

The location of the load that will be given to the truss can be seen in Figure 5.

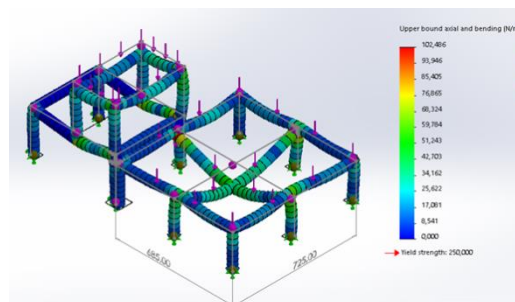


**Figure 5. Loading on the frame**

### Frame Simulation of Grain Skin Breaker Machine With Solidworks

Running the program on solidworks (static simulation), to find out the results of the von misses, displacement and safety factor simulations.

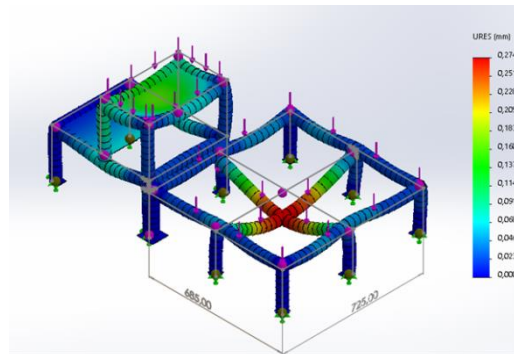
#### Von Misses Stress



**Figure 6. Results of Von misses stress on the frame of the grain husk crusher**

The results of the von misses values obtained from simulations on the grain husk crusher machine produce a max stress value of 102,486 MPa.

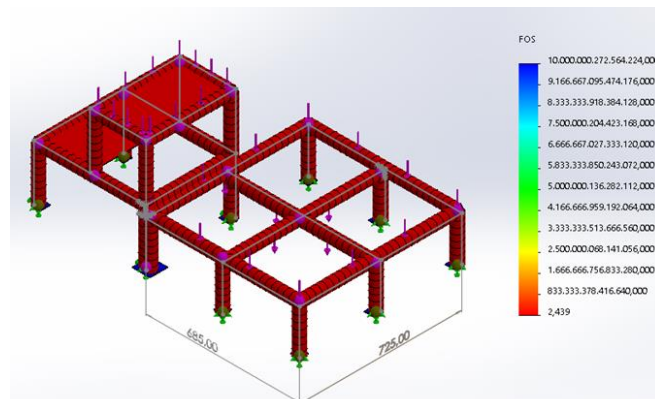
## Displacement



**Figure 7. Displacement results on the frame of the grain skin crusher machine**

The results of the Displacement value obtained from the simulation on the grain skin crusher machine produce a max value of 0.274 mm.

## Safety Factor



**Figure 8. Safety Factory results on the frame of the grain husk breaker**

The result of the safety factor value obtained from the simulation on the grain husk crusher machine produces a value of 2.439 ul, so with this it states that the frame is safe to withstand the load of the husker.

## Actual Calculation of the Frame Strength of the Grain Skin Breaker

### Force Load

Calculation of loading with a total machine weight of 115 Kg, can be done using the following formula

$$\begin{aligned} F &= m \times g \\ F &= 115 \text{ kg} \times 9.8 \text{ m/s}^2 \\ F &= 1127 \text{ N} \end{aligned}$$

### Calculation of Frame Surface Area

$$\begin{aligned} A &= P \times L \\ A &= 725 \text{ mm} \times 685 \text{ mm} \\ A &= 496625 \text{ mm}^2 \end{aligned}$$

### Shear Stress In Frame

$$M = F \times (1/2 \times \text{frame length})$$

$$\begin{aligned}
&= 1127 \text{ N} \times 362.5 \text{ mm} \\
&= 408.537.5 \text{ Nmm} \\
A &= 496,625 \text{ mm}^2 \\
T &= 5 \text{ mm} \\
\tau_{xy} &= \frac{M}{2 \cdot A \cdot t} \\
\tau_{xy} &= \frac{409.537,5 \text{ Nmm}}{2 \cdot 496.625 \cdot 5} \\
\tau_{xy} &= 0.082 \text{ N/mm}^2
\end{aligned}$$

### Frame Center Weight Value

The length of the angle iron is 35 mm, so to see the center of gravity use the following formula.

$$\begin{aligned}
y &= \frac{d}{2} \\
y &= \frac{35}{2} \\
y &= 17,5 \text{ mm}
\end{aligned}$$

### Moment of inertia

$$\begin{aligned}
I &= \frac{b \times h^3}{36} \\
I &= \frac{35 \text{ mm} \times (35 \text{ mm})^3}{36} \\
I &= 41684,02 \text{ mm}^4
\end{aligned}$$

### Normal Stress

$$\begin{aligned}
\sigma_t &= \frac{M \cdot y}{I} \\
\sigma_t &= \frac{408.537,5 \text{ Nmm} \cdot 17,5 \text{ mm}}{41684,02 \text{ mm}^4} \\
\sigma_t &= 171,51 \text{ N/mm}^2 = \sigma_x
\end{aligned}$$

### Von Misses Stress maximum

$$\begin{aligned}
\sigma_{max} &= \frac{\sigma_x + \sigma_y}{2} + \sqrt{\left(\frac{\sigma_x + \sigma_y}{2}\right)^2 + (\tau_{xy})^2} \\
\sigma_{max} &= \frac{171,51}{2} + \sqrt{\left(\frac{171,51}{2}\right)^2 + (0,082 \text{ MPa})^2} \\
\sigma_{max} &= 85,75 \text{ MPa} + \sqrt{7353,92} \text{ MPa} + 0,0067 \text{ MPa} \\
\sigma_{max} &= 85,75 \text{ MPa} + 85,75 \text{ MPa} \\
\sigma_{max} &= 171,51 \text{ MPa}
\end{aligned}$$

### Displacement of Frame

$$\begin{aligned}
\delta &= \frac{P \cdot L^3}{48 \cdot E \cdot I} \\
\delta &= \frac{1127 \text{ N} \cdot (685)^3}{48 \cdot 200.000 \text{ N/mm}^2 \cdot 41684,02 \text{ mm}^4} \\
\delta &= 0,905221 \text{ mm}
\end{aligned}$$

### Safety Factor

$$Sf = \frac{\text{Actual Strength}}{\text{Required Strength}}$$

$$\text{Safety factor} = \frac{250 \text{ Mpa}}{171,51 \text{ Mpa}}$$

$$\text{Safety factor} = 1,45 \text{ ul}$$

#### **Error Percentage of Von Misses**

$$\eta = \frac{\text{Von misses teori} - \text{Von misses simulasi}}{\text{Von misses teori}} \times 100\%$$

$$\eta = \frac{171,51 \text{ Mpa} - 102.486 \text{ Mpa}}{171,51 \text{ Mpa}} \times 100\%$$

$$\eta = 4,02\%$$

#### **Error Percentage of Displacement**

$$\eta = \frac{\text{Displacement teori} - \text{Displacement simulasi}}{\text{Displacement teori}} \times 100\%$$

$$\eta = \frac{0,905221 \text{ mm} - 0.274 \text{ mm}}{0,905221 \text{ mm}} \times 100\%$$

$$\eta = 6,97\%$$

#### **Error Percentage of Safety Factor**

$$\eta = \frac{\text{Safety Factor theory} - \text{Safety Factor in simulation}}{\text{Safety Factor theory}} \times 100\%$$

$$\eta = \frac{1,45 \text{ ul} - 2,439 \text{ ul}}{1,45 \text{ ul}} \times 100\%$$

$$\eta = 6,82\%$$

## **CONCLUSIONS AND SUGGESTIONS**

### **Conclusion**

Based on the purpose of writing and discussion, it will be concluded as follows:

1. The support frame for the grain crusher machine has a size of 725 mm x 685 mm x 870 mm, with the material used is ASTM A36 Steel and uses an angel iron measuring 35 mm x 35 mm x 5 mm. the truss design process using the solidworks 2018 software.
2. The strength of the support frame that has been obtained from the simulation results of the 2018 Solidworks software is as follows:

- a. Von misses

Based on the simulation results, the max von misses stress is 102,486 MPa and the smallest value is 0.000 MPa, this happens because of the vibration generated by the operating machine.

b. Displacement

Displacement simulation on the support frame results in a max displacement of 0.274 mm and the smallest value of 0.000 mm.

c. Safety factor

The safety factor obtained from the simulation results in the software solidworks for the support frame is 2,439 ul with a loading value of 1127 N, so with these results the support frame is safe enough to withstand the load of the grain crusher machine.

### Suggestion

From scientific research, there are several suggestions for further research to make it more perfect, so things that need to be considered are as follows:

1. The selection of the type of material on the support frame can be changed to get a better safety factor value
2. Using different software in the design to know the difference.

### REFERENCE

- [1] Araullo, E.V., D.B. de Padua, and M. Graham. 1976. Rice Post Harvest Technology. Internationa Development Research Center, Ottawa. Dalam Rathoyo, 1981. IPB, Bogor
- [2] Firmansyah, Rian. 2016. Desain Dan Analisa Pemrosesan Limbah Infeksitus Menggunakan Software Autodesk Inventor. Jakarta : skripsi Universitas Gunadarma.
- [3] Mulyawan, D. P., Iqbal, I., & Munir, A. 2018. Uji Kinerja Mesin Pemecah Kulit Gabah (Husker) Tipe Rol Karet pada Penggilingan Gabah Kecil. Jurnal Agritechno, 40-48.
- [4] Nurpalah AM. 2017. Perancangan, Konstruksi Atap, Motor DC, Pulley, Sensor Hujan, Sensor Cahaya (LDR), Arduino, Software Pendukung Berupa Arduino Software (IDE) Solidwoks dan SimWise 4D. Bandung : Universitas Pasundan.
- [5] Sumiyarso, B. 2017. Rancang Bangun Mesin Penggiling Gabah dan Pemutih untuk Skala Rumah Tangga dengan Kapasitas 30 Kg/Jam. Jurnal Rekayasa Mesin, 10(1).
- [6] Sugiyanto, W. 2020. Modifikasi Alat Penggiling Padi Dan Pemoles Tipe Friksi Skala Rumah Tangga Kapasitas 200 Kg/Jam. (Doctoral dissertation, 021008 Universitas Tridinanti).
- [7] Sulistiaji, K. 2007. Alat dan Mesin Panen dan Perontokan Padi di Indonesia. Syarat Mutu dan Cara Uji (SNI 7600: 2010). Jakarta (ID): Badan.